

THE REGULATOR'S PERSPECTIVE FOR DEPLOYING SMRs

Rumina Velshi, President & CEO
Canadian Nuclear Safety Commission

Canadian Nuclear Association's
Nuclear Sector CEO Meeting

February 24, 2022



OUTLINE

Objectives

Licensing 30 Years Ago

Regulatory Readiness Today
and Tomorrow

Expectations
of the Industry

Conclusion



Image: Digital Archive - Toronto Public Library

OBJECTIVES

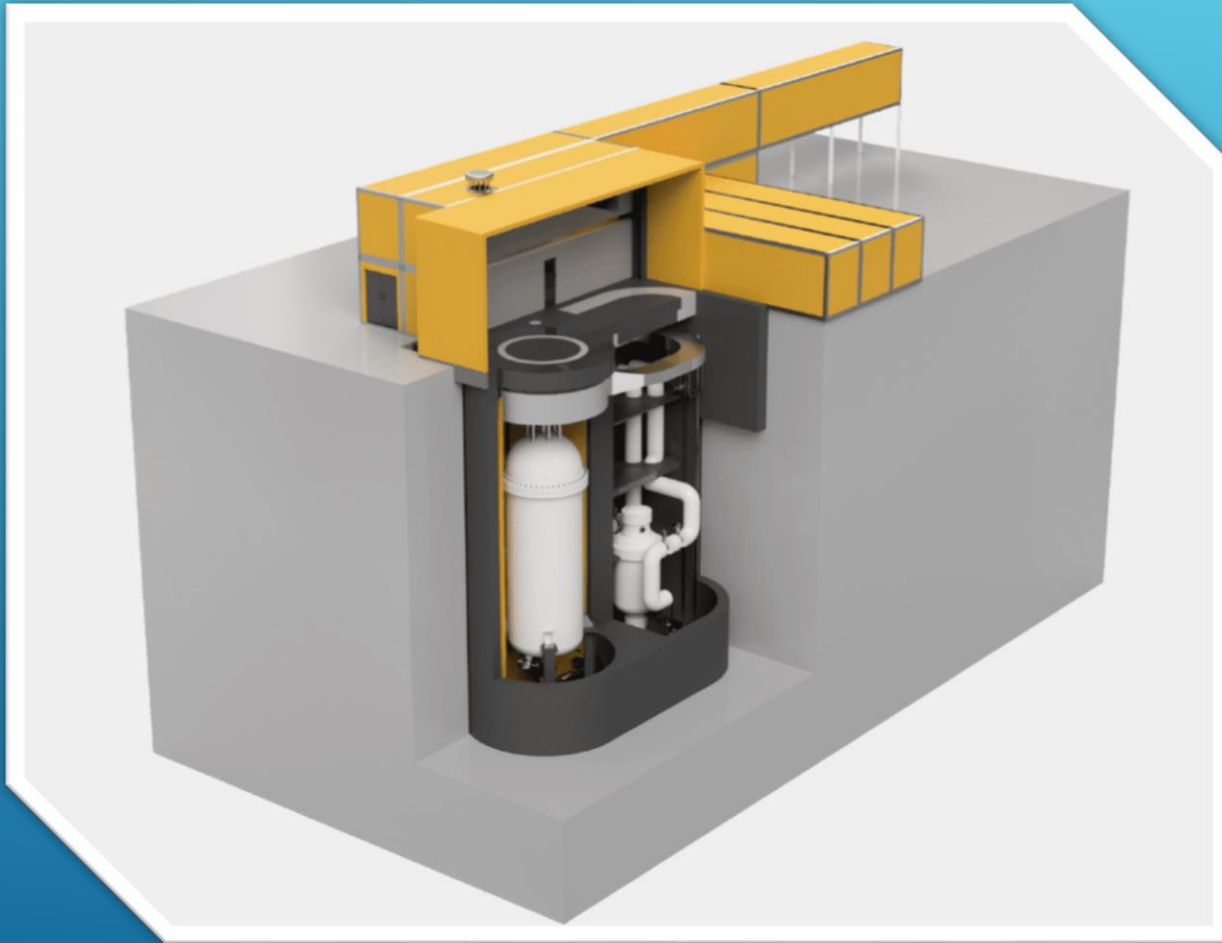
Continued safety
at all times

+

Minimize regulatory risk –
certainty & predictability

**Regulatory effectiveness
and efficiency**

Confidence in regulator



LICENSING 30 YEARS AGO



Image: Digital Archive - Toronto Public Library

Different regulatory,
economic and political
context

One constant:
World-class regulator
focused on safety



Regulatory Framework

- Modern
- Robust
- Flexible
- Internationally aligned
- Performance-based
- Risk-informed

Capacity building

International collaboration
/ harmonization

REGULATORY READINESS TODAY AND TOMORROW



- Engage early and often
- Realistic timelines
- Earn social acceptance

EXPECTATIONS OF INDUSTRY

Highly robust and safe designs

CONCLUSION



Strong regulation
Safe operation
An example for the world